



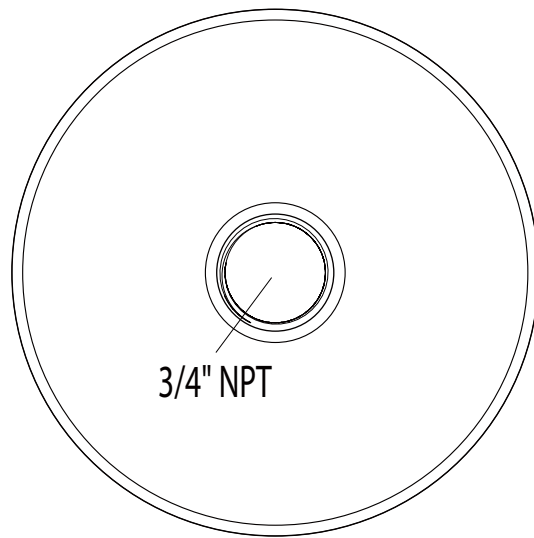
Pendant Mount



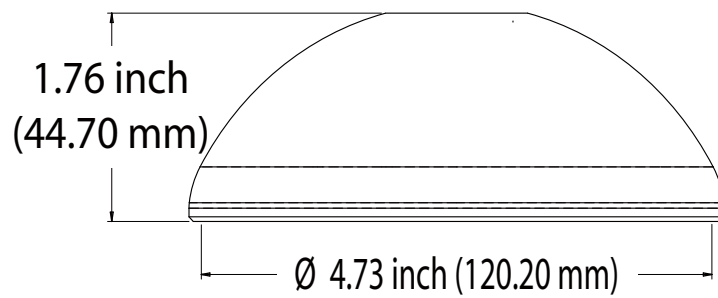
Specifications

- **Material:** Polycarbonate
- **Color:** RAL 9003, RAL 9017
- **Weight:** 0.147 lbs (66.7g)
- **Dimensions:** Ø = 4.96 inch (126mm)
H = 1.76 inch (44.70mm)
- **Shipping Weight (per piece):** 0.278 lbs (126g)

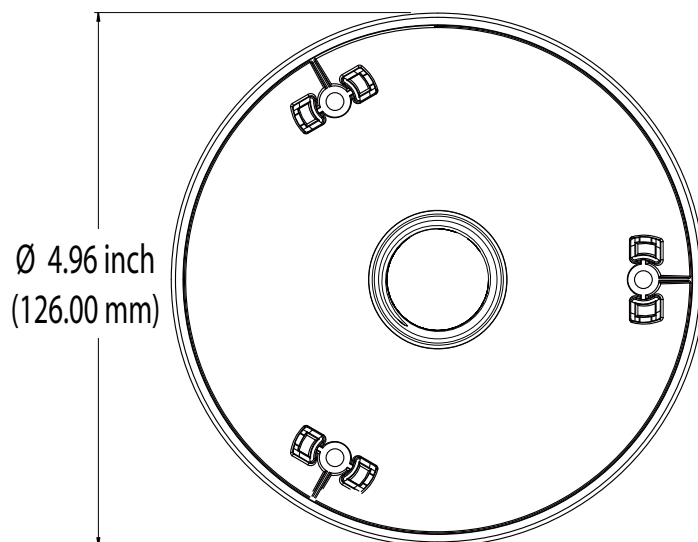
ACCESSORIES



Top



Side



Bottom